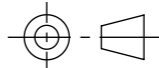



DRAWN	Pleuni Bongers	DATE	4-7-2024		TITLE:	4mm Aluminum	
REVISION					Drawing:	ARSO4_400_1000_400_Wide	A3
		Liessentstraat 4, 5405 AG Uden (NL). † 0031 (0)413 - 27 41 68. e info@adezz.com, i www.adezz.com		Color:	Mass (kg):	<b>23.56</b>	SCALE:1:10
					SHEET 1 OF 6		